



DATE: January 25, 2021

TOPIC: 2021 Installation Tip

It has been brought to our attention there is a potential issue when performing service work on the new 2021 F-150s.

Before starting any work on the F-150, we recommend disconnecting the Negative Battery cable. If the seats are removed and ignition key engaged without the battery disconnected first, it will result in a systems lockup rendering the vehicle inoperable. If this system lockup occurs, it will require the Dealership to reflash the computer before the vehicle will be operable again.

Be sure to reinstall and reconnect all seat connections before reconnecting the battery and starting the truck. See the following pages for instructions.

Battery Disconnect and Connect

Disconnect

NOTICE: If equipped, vehicles with an auxiliary battery(s) must be disconnected in addition to the main 12 volt battery to remove the 12 voltage from the vehicle or vehicle damage may occur.

NOTE: When the battery is disconnected and connected, some abnormal drive symptoms may occur while the vehicle relearns its adaptive strategy. The vehicle may need to be driven to allow the PCM to relearn the adaptive strategy values.

NOTE: When disconnecting the battery to interrupt power to the vehicle electrical system, disconnect the battery ground cable(s). It is not necessary to disconnect the positive battery cable(s).

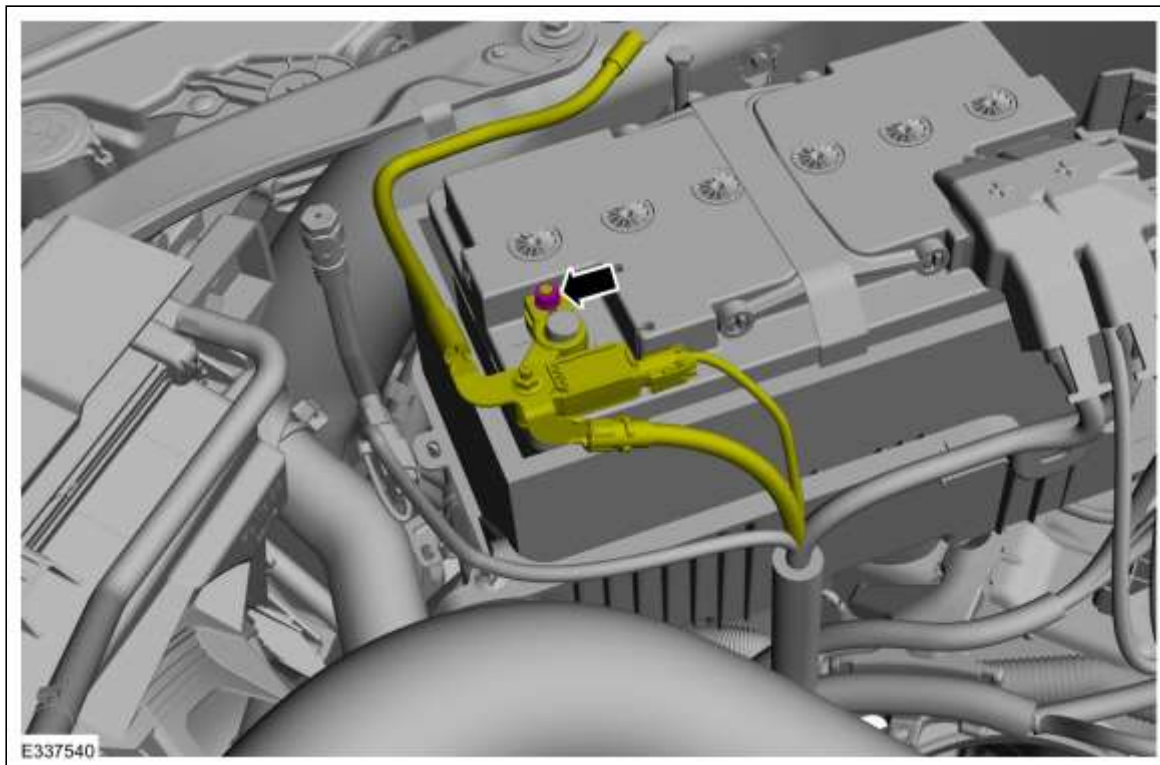
NOTE: Removal steps in this procedure may contain installation details.

Non-Hybrid Vehicles

- NOTICE:** Make sure the positive battery terminal cover is in position while removing the negative battery cable clamp to prevent damage from a short to the positive terminal.

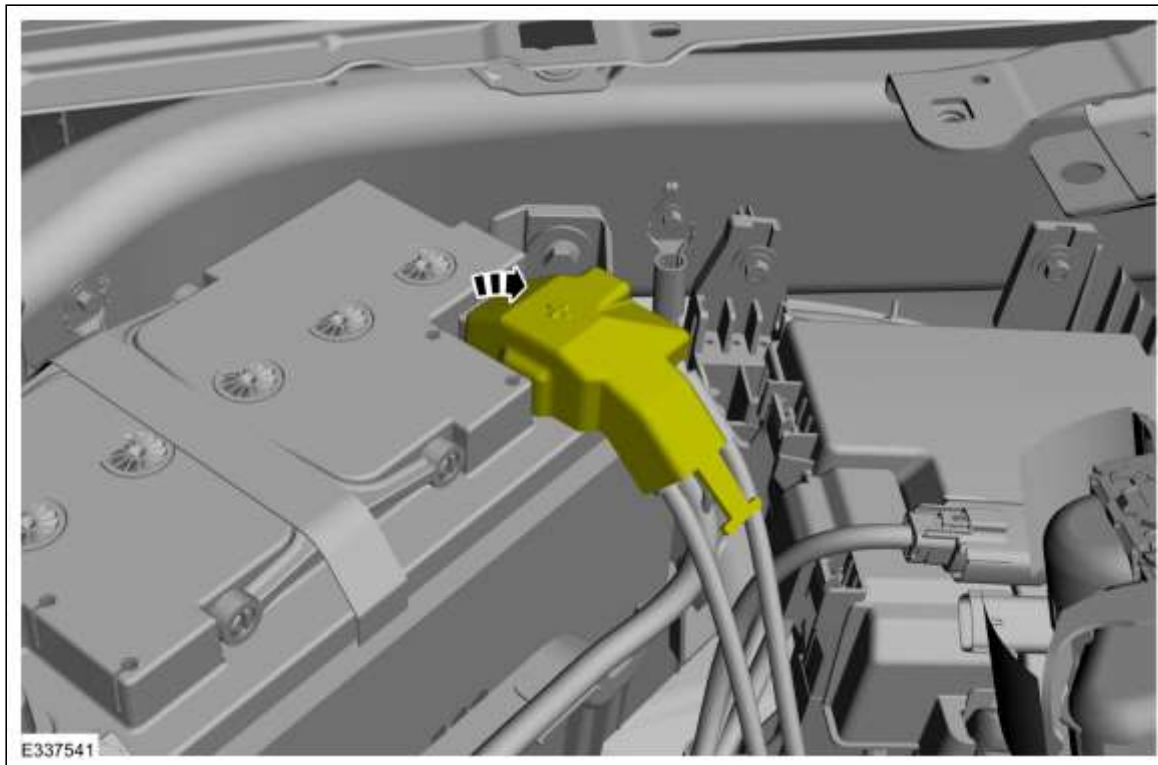
NOTICE: Be careful not to damage the battery monitoring sensor when removing the terminal from the battery post. Do not pry on the terminals or component damage may occur.

Loosen, but do not remove the nut. Position the negative battery cable aside.
Torque: 55 lb.in (6.2 Nm)

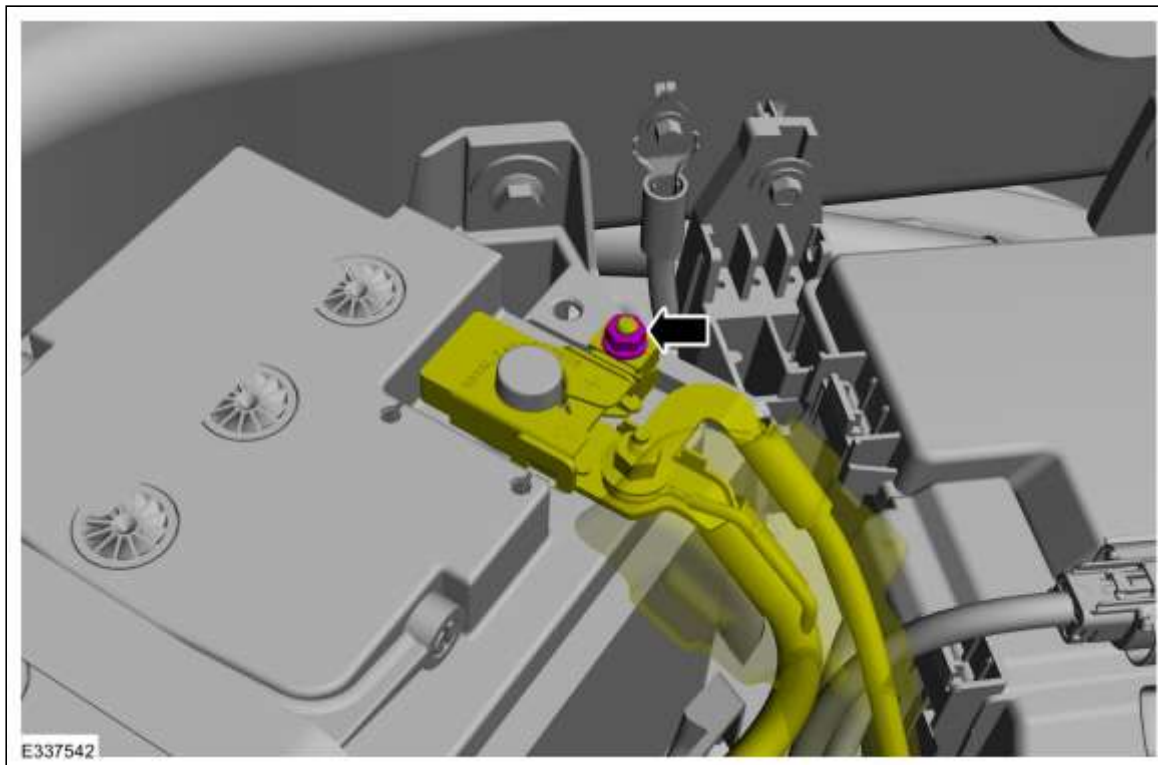


- Position the positive battery cable terminal cover aside.





3. Loosen, but do not remove the nut. Position the positive battery cable aside.
Torque: 55 lb.in (6.2 Nm)



Hybrid Vehicles

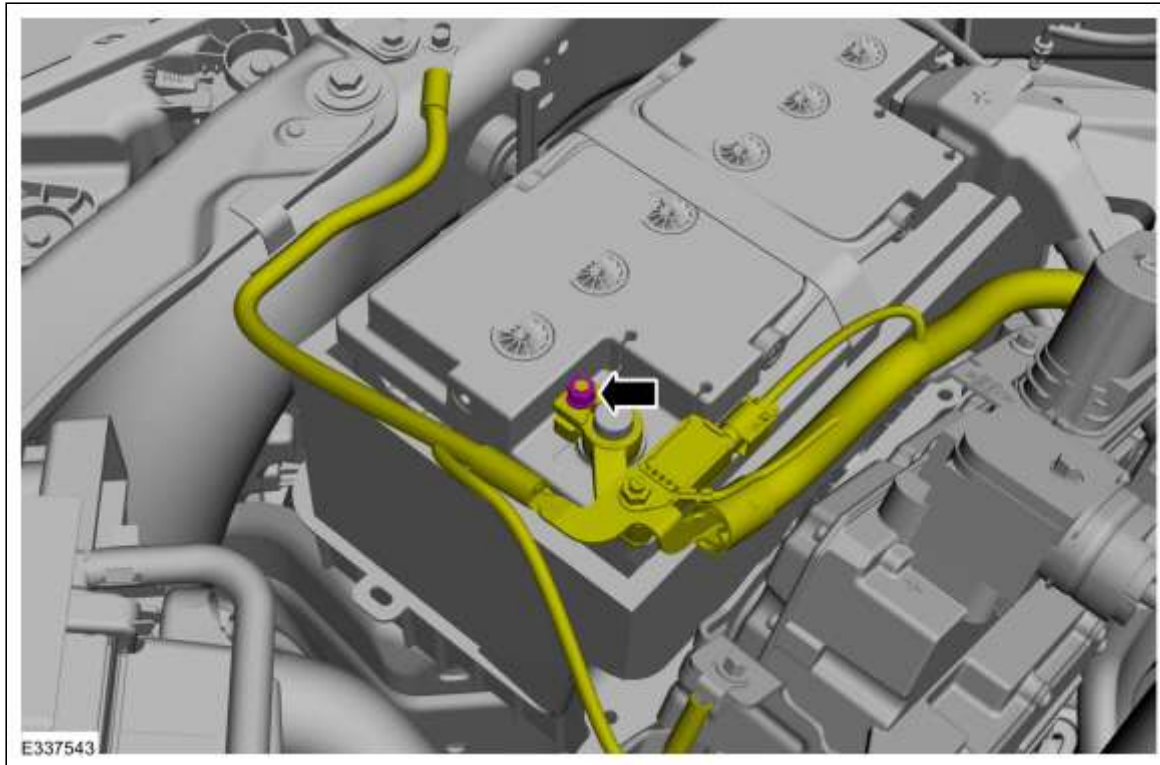
NOTICE: If equipped, vehicles with an auxiliary battery(s) must be disconnected in addition to the main 12 volt battery to remove the 12 voltage from the vehicle or vehicle damage may occur.

4. **NOTICE:** Make sure the positive battery terminal cover is in position while removing the negative battery cable clamp to prevent damage from a short to the positive terminal.

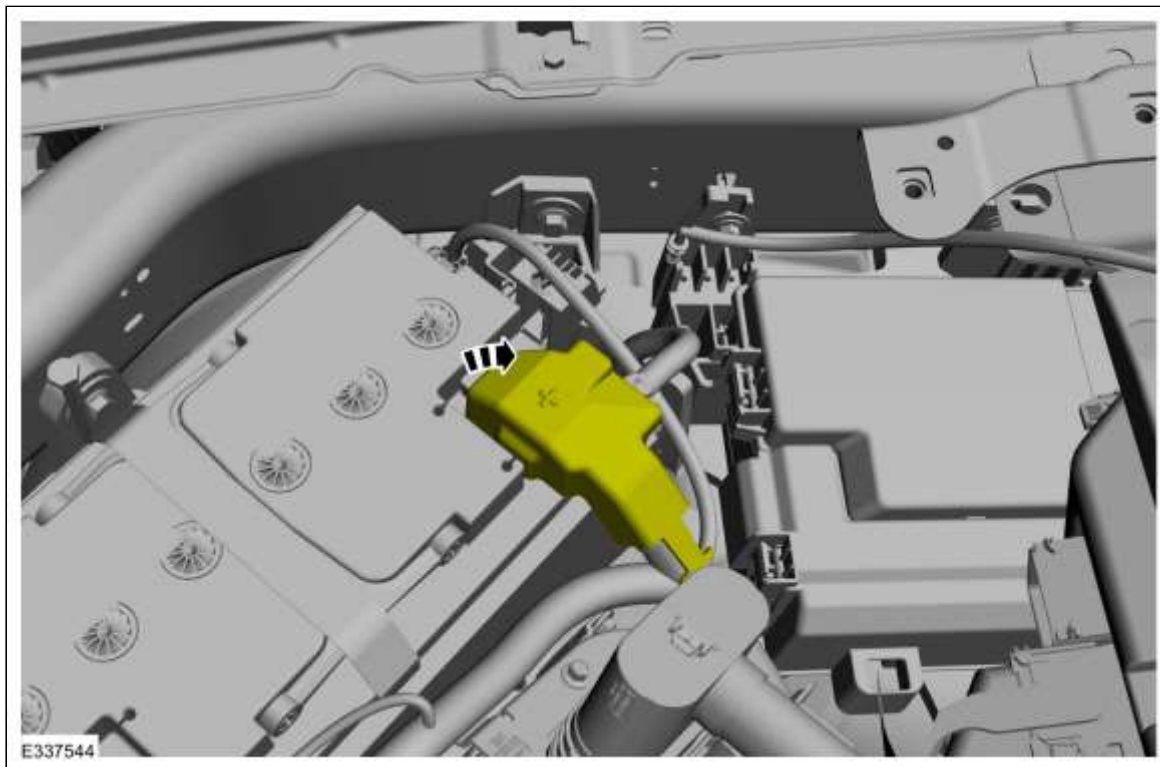
NOTICE: Be careful not to damage the battery monitoring sensor when removing the terminal from the battery post. Do not pry on the terminals or component damage may occur.

Loosen, but do not remove the nut. Position the negative battery cable aside.

Torque: 55 lb.in (6.2 Nm)

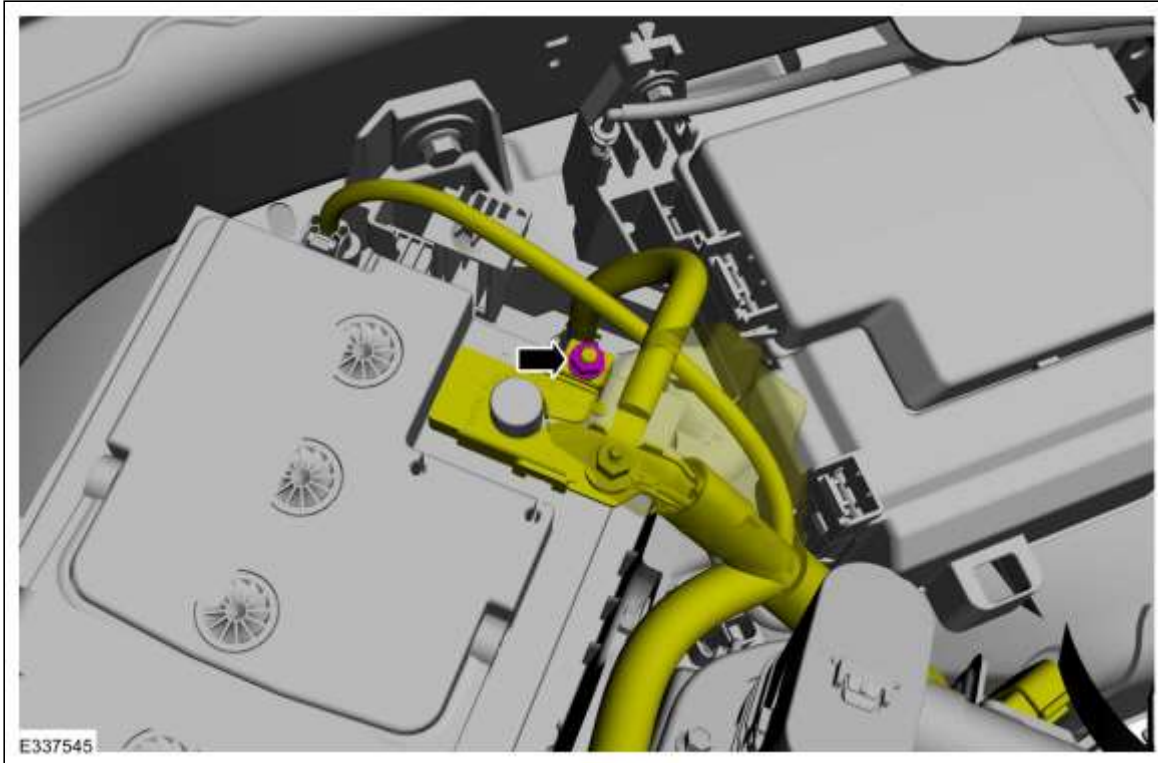


5. Position the positive battery cable terminal cover aside.



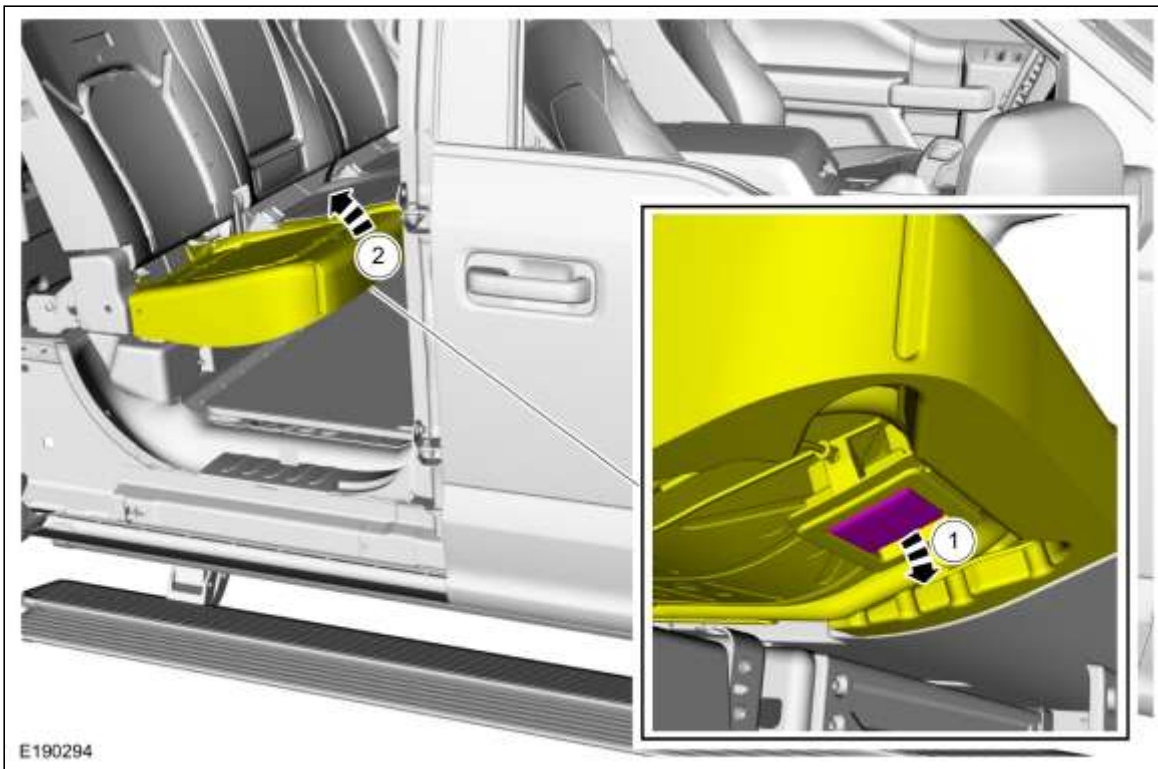
6. Loosen, but do not remove the nut. Position the positive battery cable aside.

Torque: 55 lb.in (6.2 Nm)



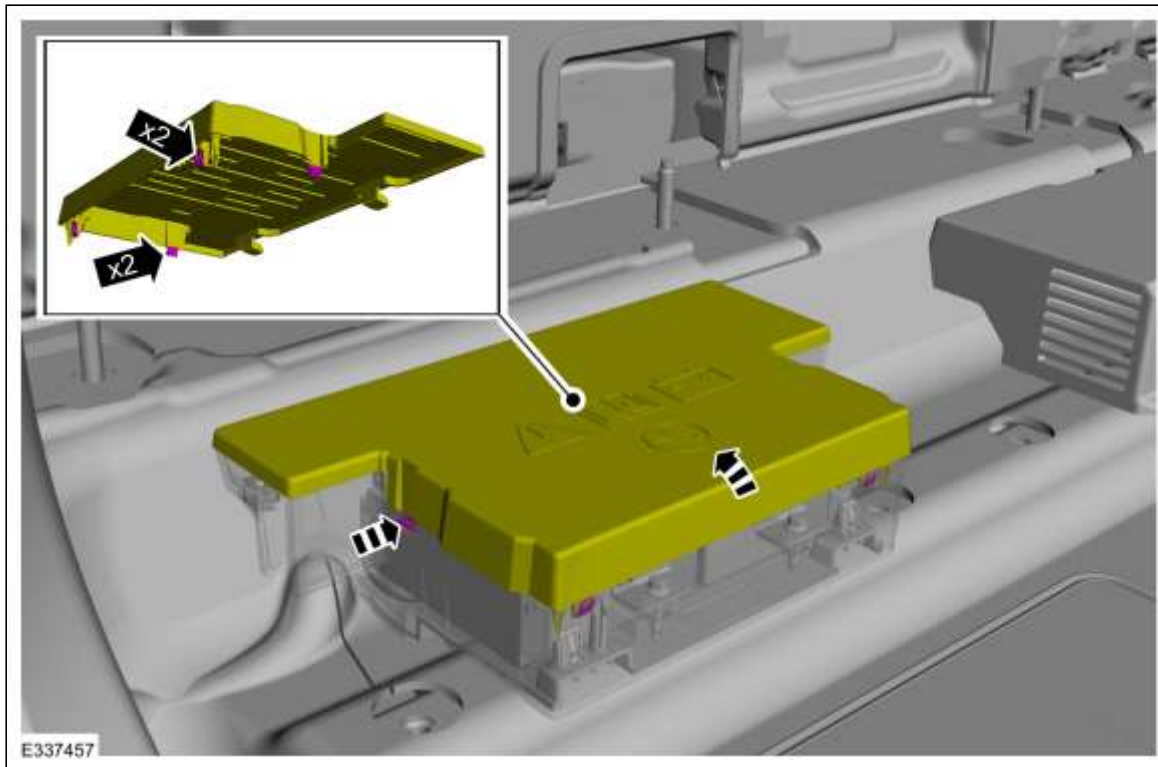
Hybrid Vehicles with an auxiliary battery

- 7. 1. Release the RH rear seat cushion latch.
2. Position the RH rear seat cushion.



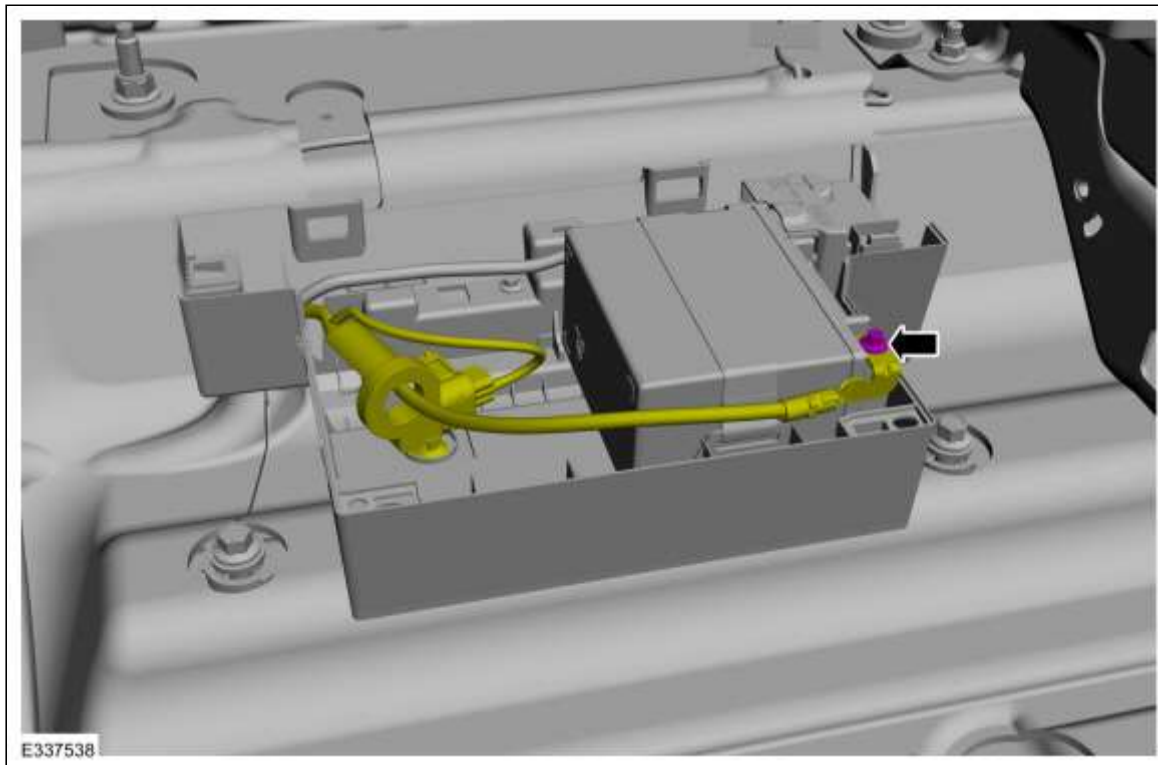
- 8. Release the taps, clips and position aside the cover.



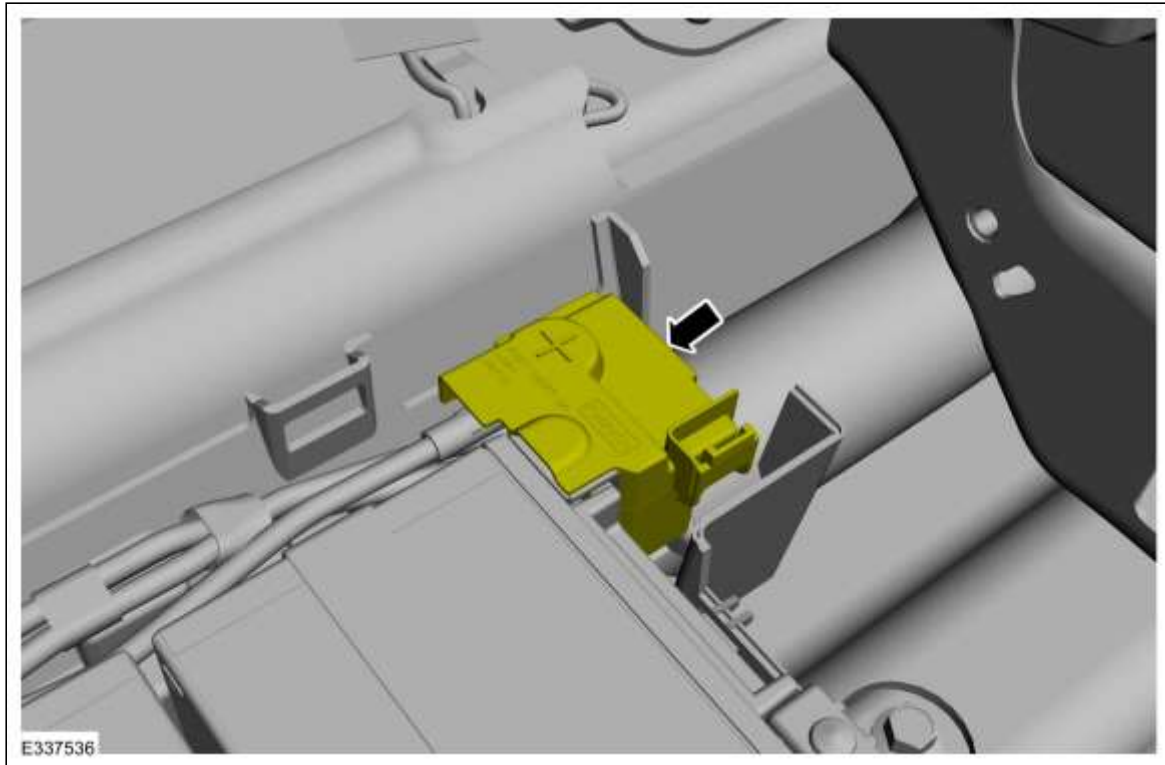


9. **NOTICE:** Make sure the positive battery terminal cover is in position while removing the negative battery cable clamp to prevent damage from a short to the positive terminal.

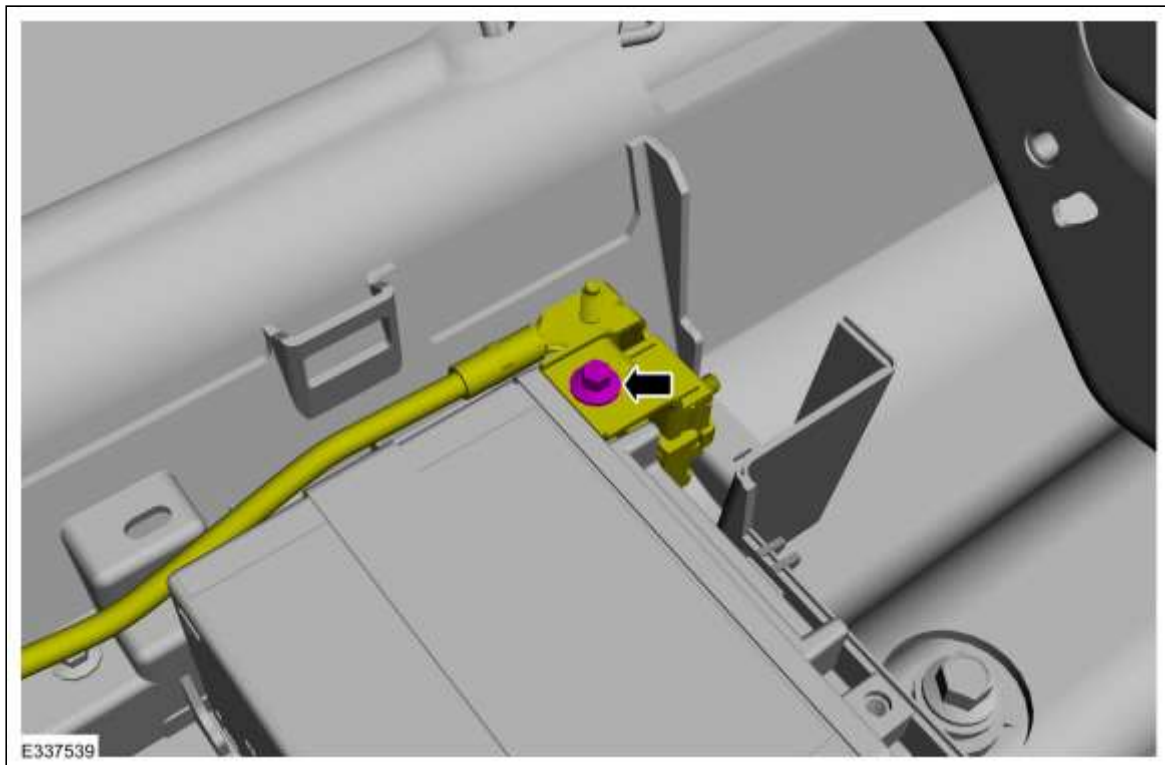
Remove the bolt and position the negative battery cable aside.
Torque: 55 lb.in (6.2 Nm)



10. Position the positive battery cable terminal cover aside.

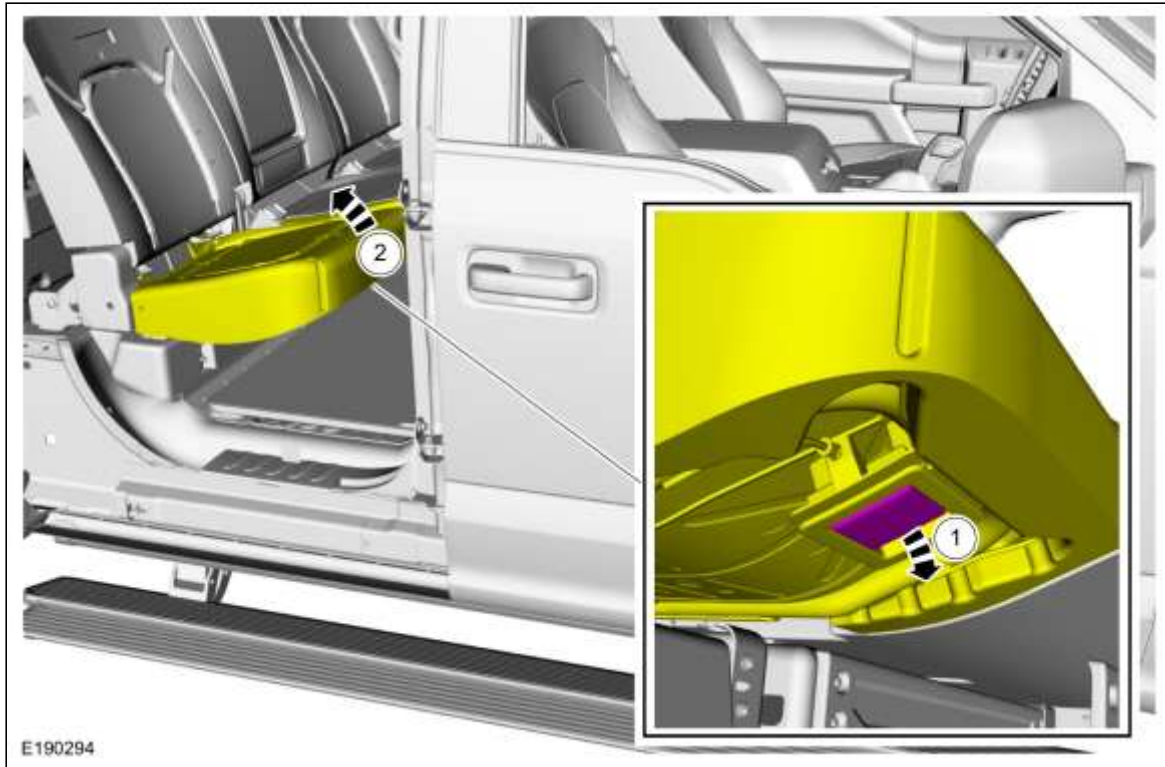


11. Remove the bolt and position the positive battery cable aside.
Torque: 55 lb.in (6.2 Nm)

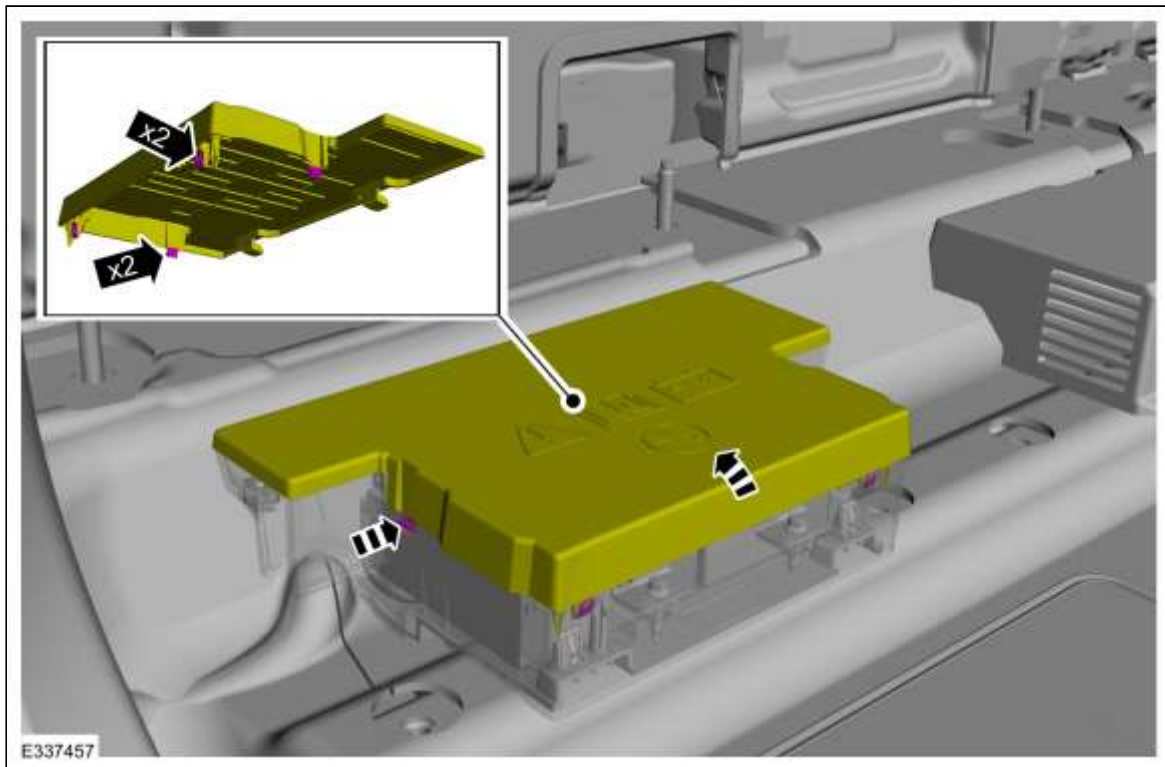


Non-Hybrid vehicles with auxiliary batteries with a 110-120v 2kw to 2.4kw pickup bed power outlet

12. 1. Release the RH rear seat cushion latch.
 2. Position the RH rear seat cushion.



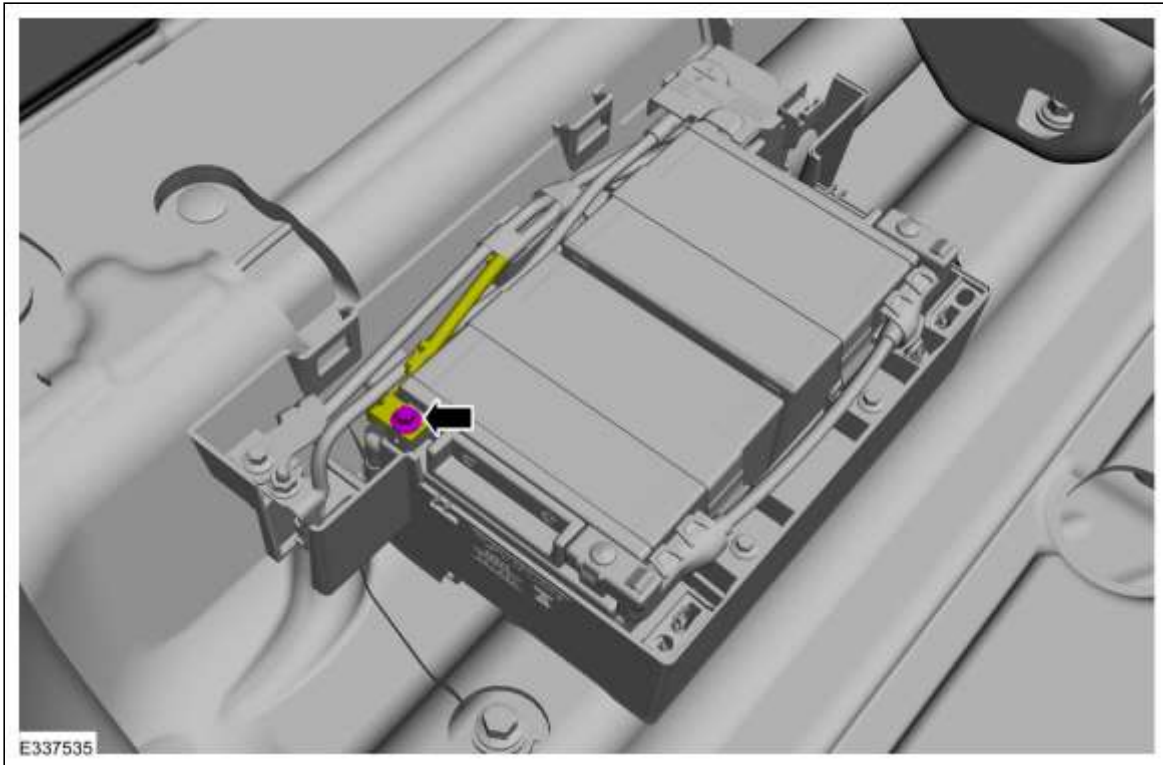
13. Release the taps, clips and position aside the cover.



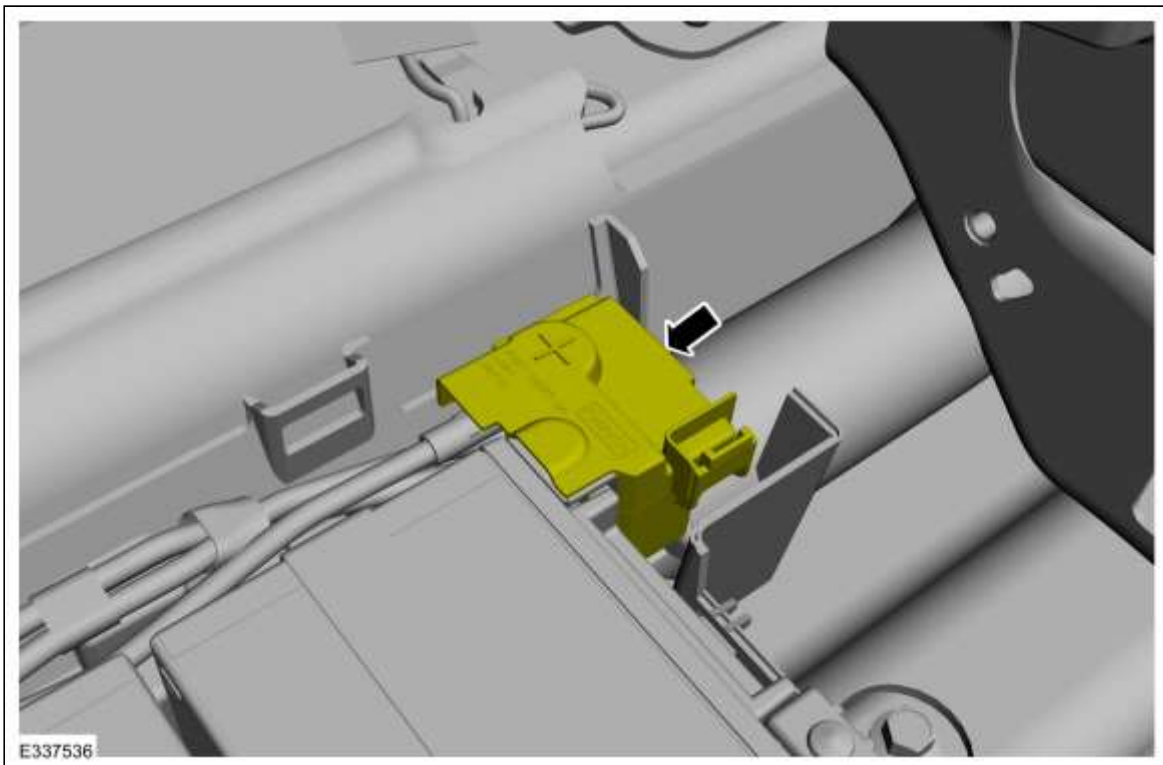
14. **NOTICE:** Make sure the positive battery terminal cover is in position while removing the negative battery cable clamp to prevent damage from a short to the positive terminal.

Remove the bolt and position the negative battery cable aside.

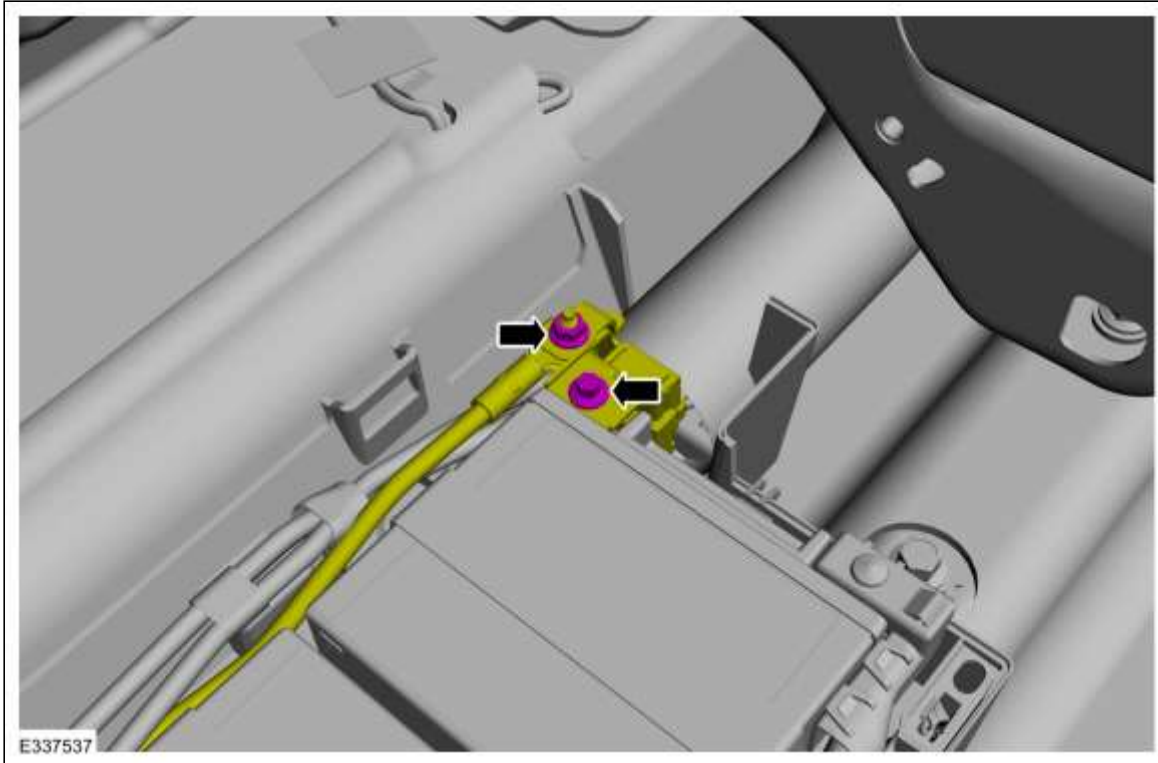
Torque: 55 lb.in (6.2 Nm)



15. Position the positive battery cable terminal cover aside.



- 16.
- Remove the nut.
Torque: 55 lb.in (6.2 Nm)
 - Remove the bolt and position the positive battery cable aside.
Torque: 55 lb.in (6.2 Nm)



Connect

1. To connect, reverse the disconnect procedure.

© Copyright 2021, Ford Motor Company.